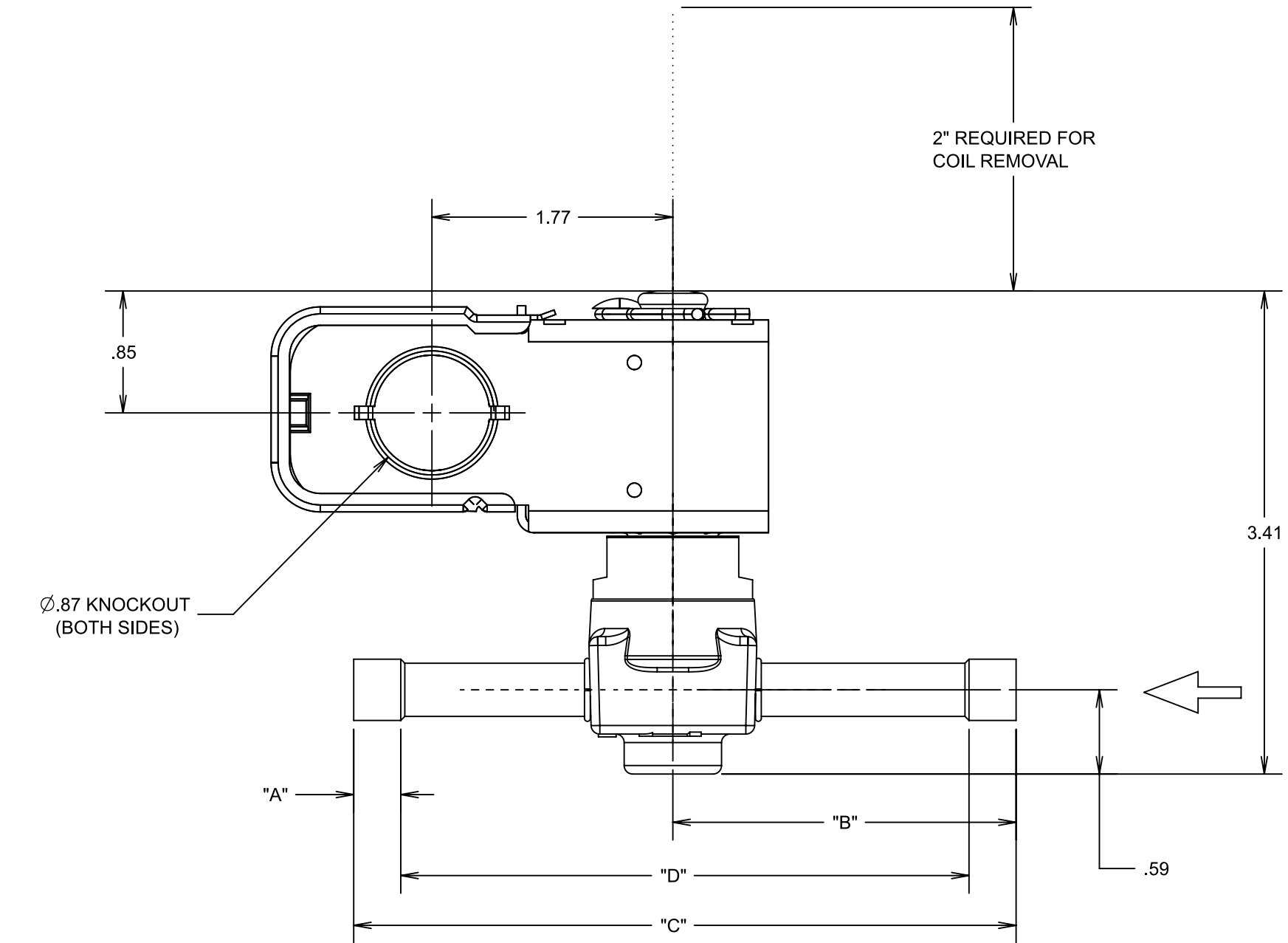
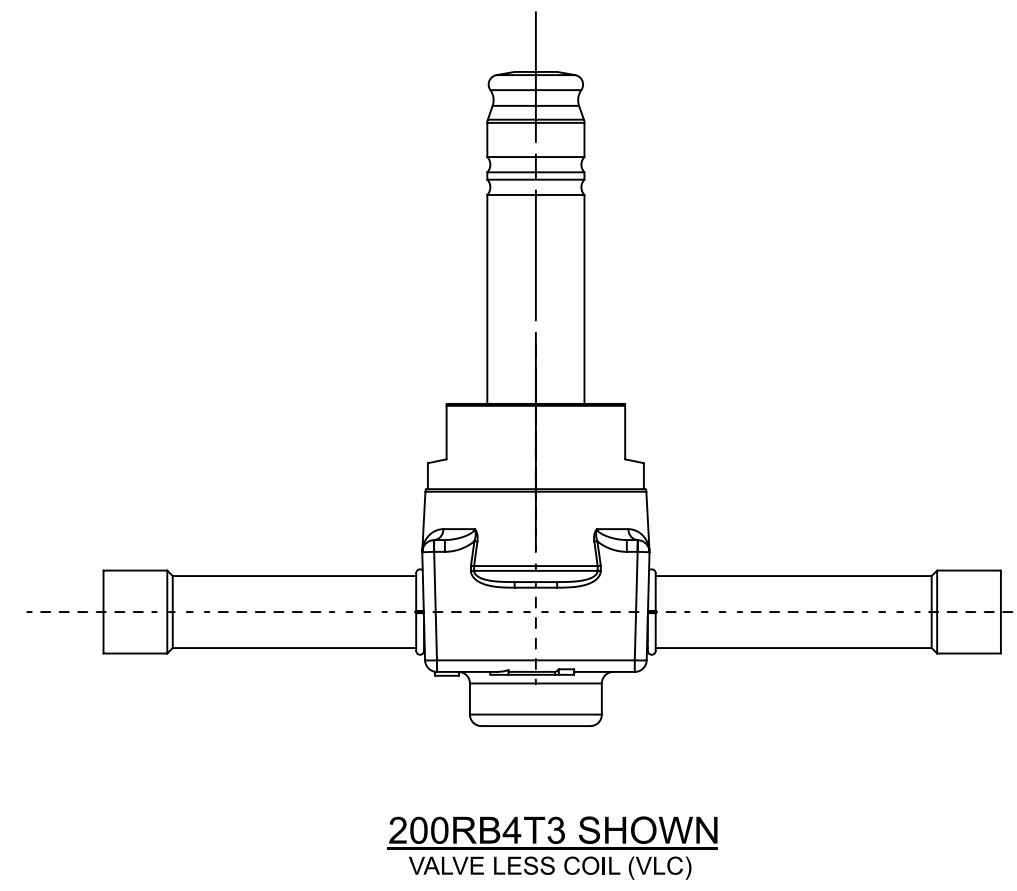
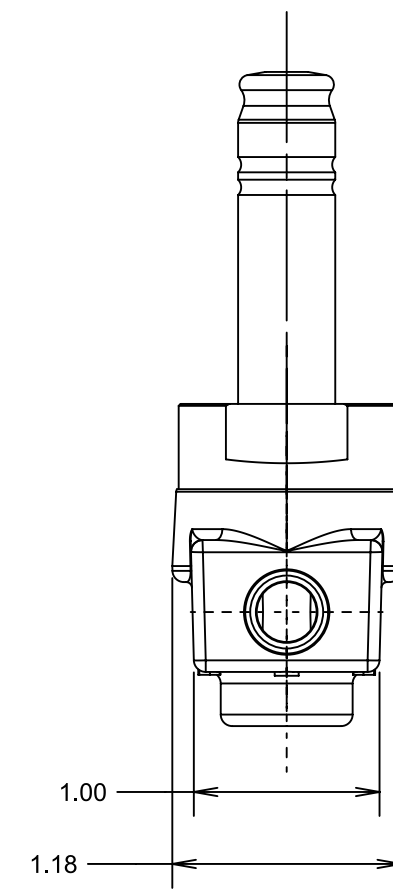
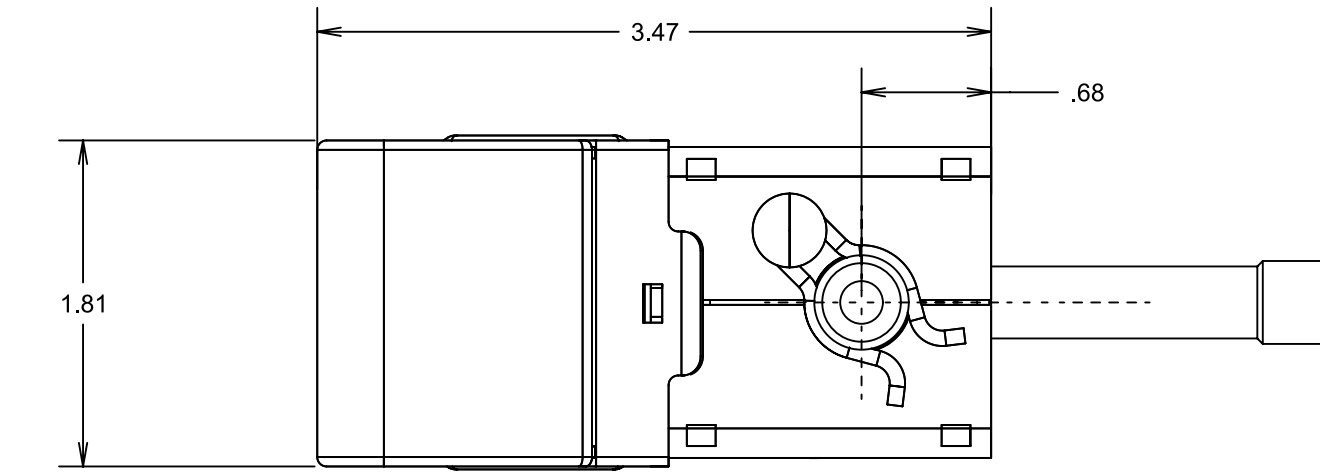
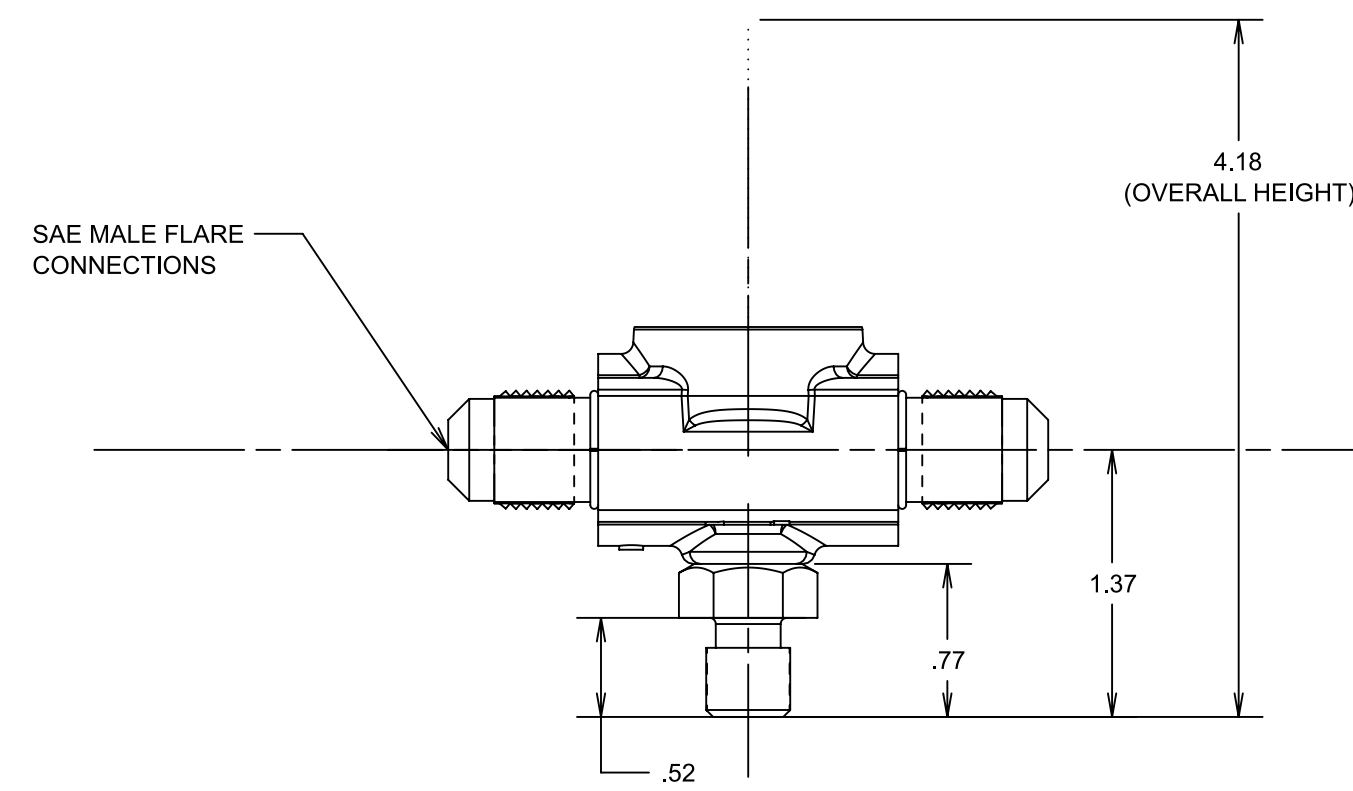


| VALVE TYPE | PORT SIZE | CONNECTION SIZE | "A" | "B" | "C" | "D" |
|-------------|-----------|-----------------|-----|------|------|------|
| 200RB3T3 | .18 | 3/8 ODF | .32 | 2.42 | 4.67 | 4.03 |
| 200RB3T3 BF | | | | | | |
| 200RB4T3 | | | | | | |
| 200RB4T3 BF | | | | | | |
| 200RB3T3T | .18 | 1/4 ODF | .32 | 2.42 | 4.67 | 4.03 |
| 200RB4T3T | | | | | | |
| 200RB4T3M | .25 | 3/8 ODF | | | | |
| 200RB2T2 | .154 | 1/4 ODF | | | | |
| 200RB2T3 | | 3/8 ODF | | | | |
| 200RB2T3 BF | .18 | 1/4 ODF | | | | |
| 200RB2T3T | | 3/8 ODF | | | | |
| 200RB3T4 | | 1/2 ODF | .38 | | | 3.91 |
| 200RB3T2 | | 1/4 ODF | .32 | | | 4.03 |

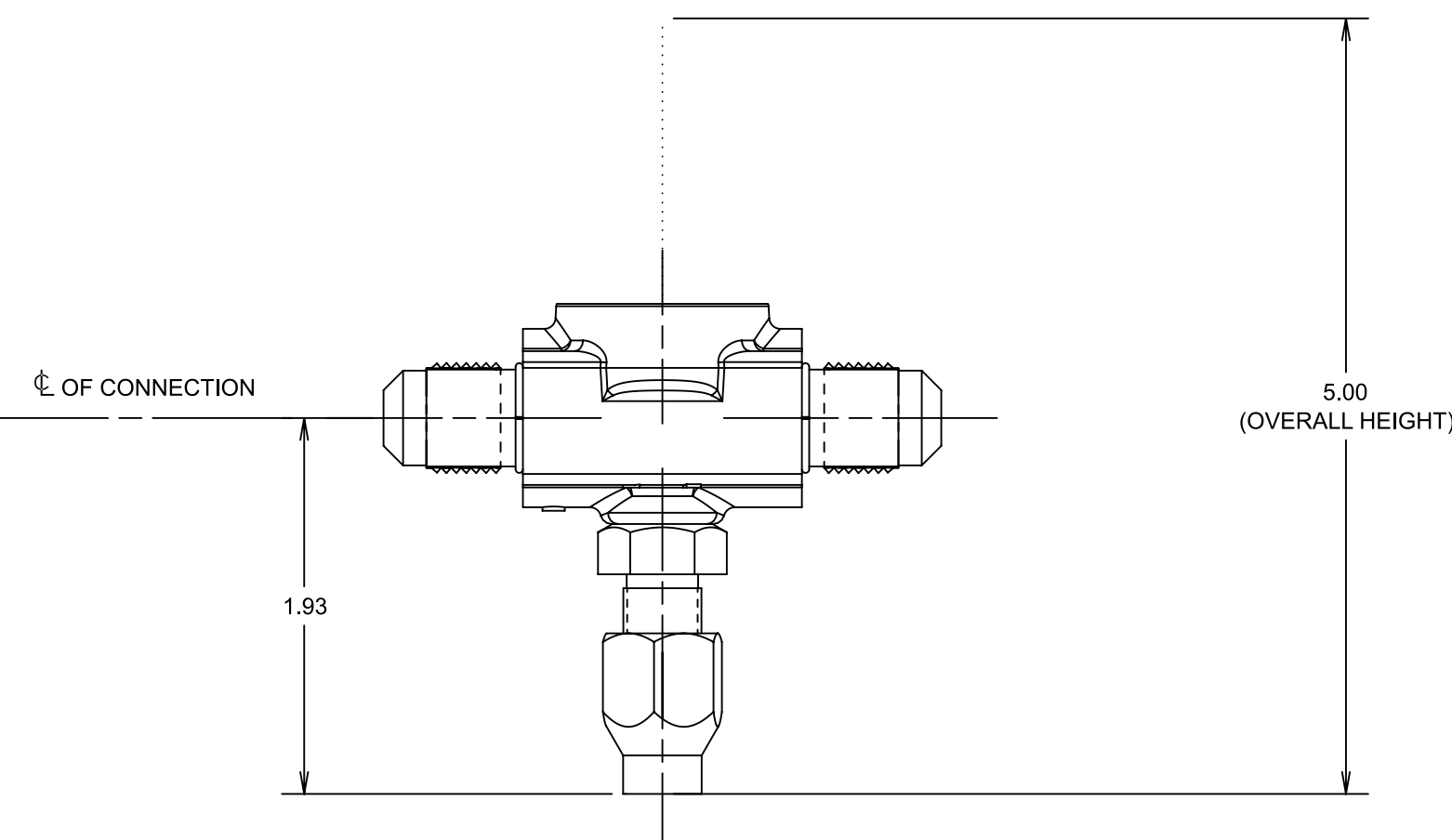
| NOMINAL VOLTAGE & FREQUENCY | APPLIED VOLTAGE & FREQUENCY | AMPERES | | WATTS | VA | | COIL INSULATION |
|-----------------------------|-----------------------------|---------|---------|-------|--------|---------|-----------------|
| | | INRUSH | HOLDING | | INRUSH | HOLDING | |
| 24/50-60 | 24/50 | 2.0 | .96 | 12.0 | 48 | 23 | CLASS F |
| | 24/60 | 1.6 | .74 | 8.3 | 38 | 18 | |
| 120/50-60 | 120/50 | .45 | .21 | 12.6 | 53 | 25 | |
| | 120/60 | .36 | .16 | 9.0 | 43 | 19 | |
| 208-220/208-240 50/60 | 208/50 | .19 | .08 | 8.0 | 40 | 17 | |
| | 208/60 | .15 | .06 | 7.0 | 32 | 12 | |
| | 240/50 | .24 | .10 | 12.0 | 57 | 24 | |
| | 240/60 | .19 | .08 | 9.0 | 46 | 19 | |
| 480/50-60 | 480/50 | .11 | .05 | 12.0 | 53 | 24 | |
| | 480/60 | .09 | .04 | 9.0 | 43 | 19 | |



200RB4T3 SHOWN WITH CLIP STYLE COIL



MOUNTING STUD OPTION



MANUAL STEM OPTION

- 07 AGENCY APPROVALS:
U.L./cUL FILE NO. MP604; U.L. GUIDE NO. Y10Z
 - 06 MAX. FLUID TEMP: 250°F
 - 05 M.W.P.: 680 PSIG
 - 04 M.O.P.D.: 300 PSI
 - 03 COIL LEAD WIRE: 1/32 THK INSULATION RATED FOR 600V & 125°C.
 - 02 COIL LEAD LENGTH: 6"
 - 01 COILS ARE NORMALLY SUPPLIED WITH A JUNCTION BOX (AMG TYPE).
- NOTES:

| MATERIAL: | | White-Rodgers EMERSON |
|-----------|-------------|--------------------------|
| FINISH | DESCRIPTION | |
| 00 | NONE | |



CONFIDENTIALITY NOTICE
THIS DRAWING AND INFORMATION CONTAINED HEREIN ARE THE EXCLUSIVE PROPERTY OF EMERSON AND SHALL BE RETURNED UPON DEMAND AND SHALL NOT BE REPRODUCED IN WHOLE OR IN PART, DISCLOSED TO ANYONE ELSE OR USED, WITHOUT THE WRITTEN CONSENT OF EMERSON.

SUPPLIER NOTICE
CHANGES TO MATERIAL, DESIGN, CONFIGURATION OR PROCESS MAY NOT BE MADE WITHOUT NOTIFICATION TO WHITE-RODGERS. ALL MATERIALS AND PROCESSES MUST BE COMPLIANT WITH ENVIRONMENTAL LAWS AND REGULATIONS AS REFERENCED IN DPRO 002-0106

| | | | |
|---|-------------------------|-------------|-----------------|
| SUPERSEDES DWG. NO./REV. NO. F25370-2/L | C OF C REVIEW: | DATE: | SHEET 1 OF 2 |
| TITLE: 200RB VALVE SERIES WITH EXTENDED ENDS | DRAWING NO. F25370-2 | REV. 001 | |